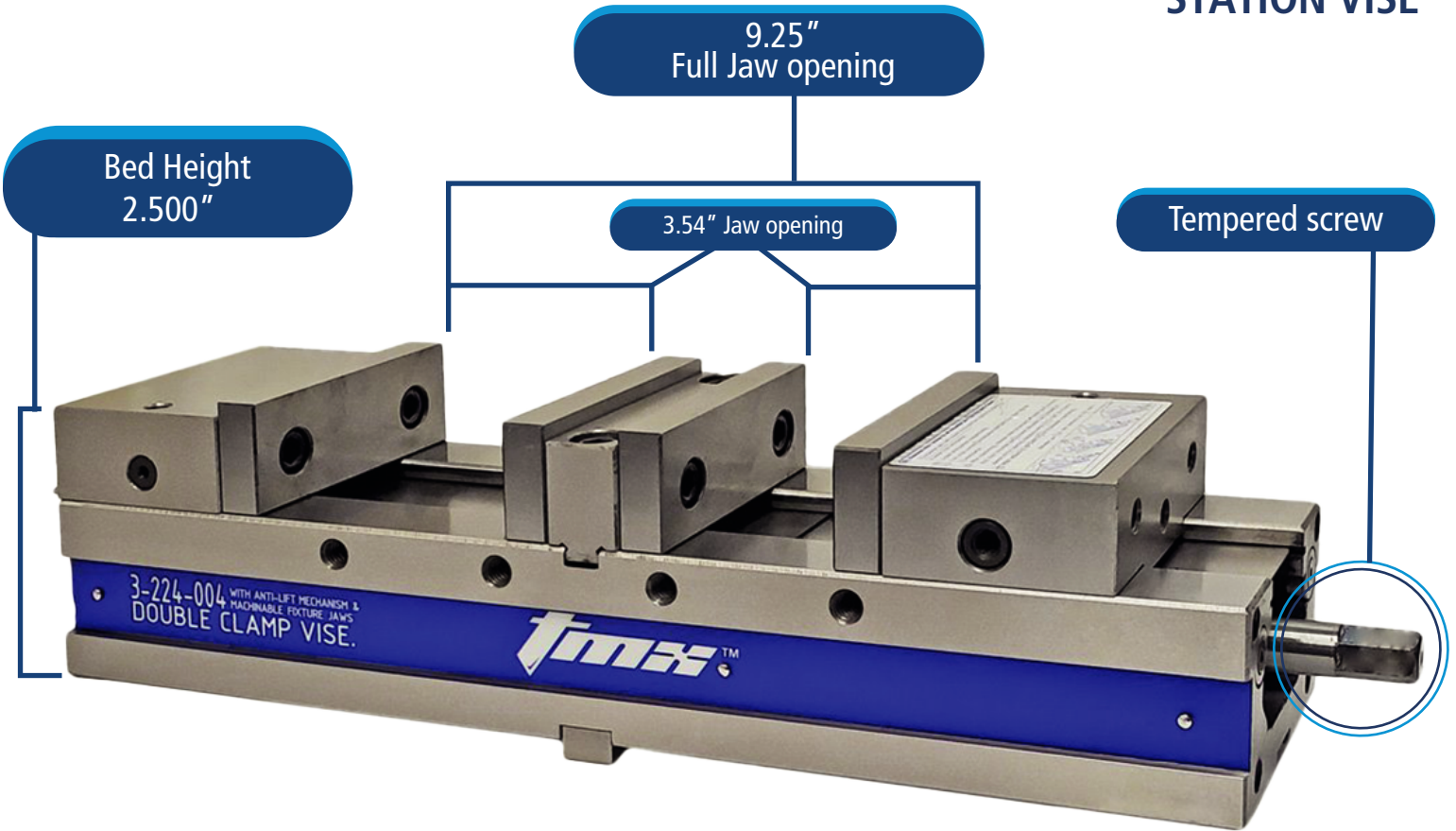
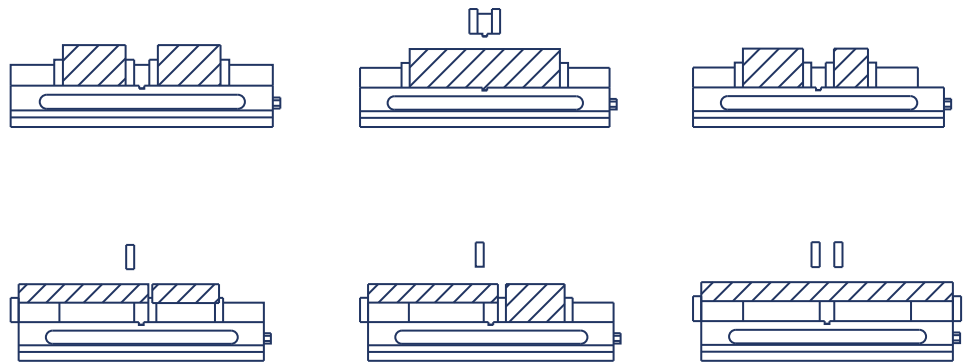


**4" DOUBLE  
STATION VISE**



**6 Clamping  
configuration**



**10 year warranty**

- Weight 44 lb
- Body Ductile Iron
- Repeatability T+/-0.01 mm
- Jaws Hardened Steel

34 Talbot Road Northborough, MA 01532  
Toll Free: 1-844-TMX-TOOL (1-844-869-8665)  
International: +1-508-653-8897  
Fax: 508-653-5110  
Email: support@tmxtools.com

