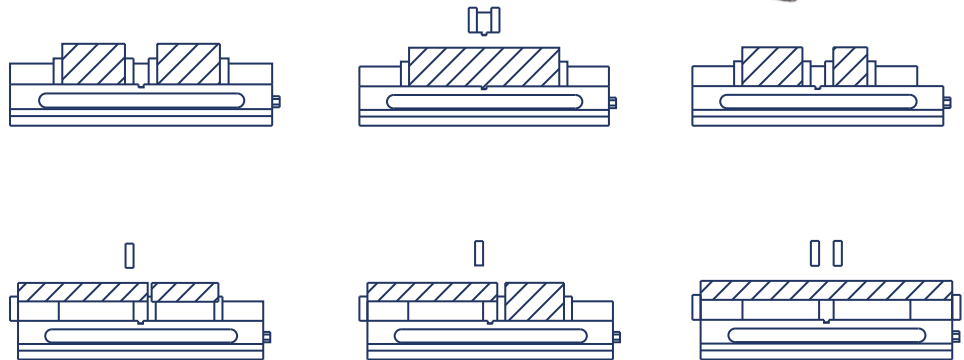


**6" DOUBLE
STATION VISE**



**6 Clamping
configuration**



10 year warranty

34 Talbot Road Northborough, MA 01532
Toll Free: 1-844-TMX-TOOL (1-844-869-8665)
International: +1-508-653-8897
Fax: 508-653-5110
Email: support@tmxtools.com

- Weight 114 lb
- Body Ductile Iron
- Repeatability T+/-0.01 mm
- Jaws Hardened Steel

